



8

7

6

5

4

3

2

1

D

C

B

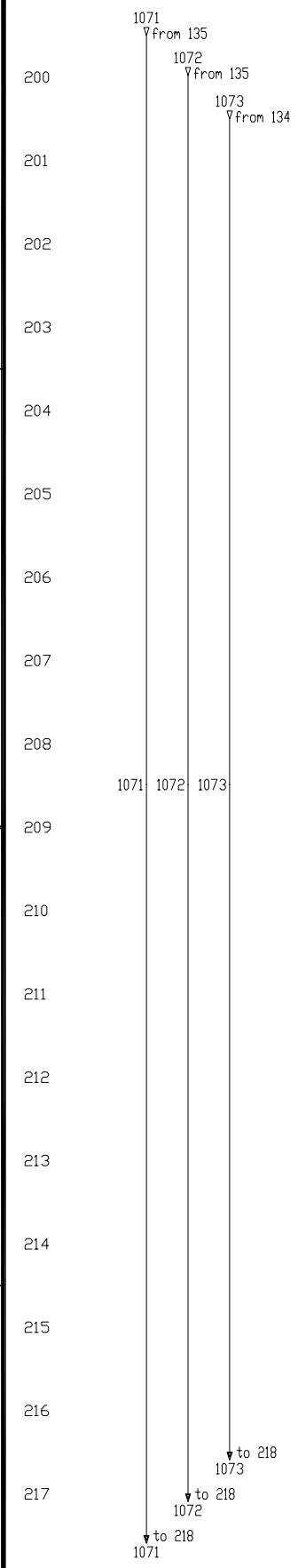
A

D

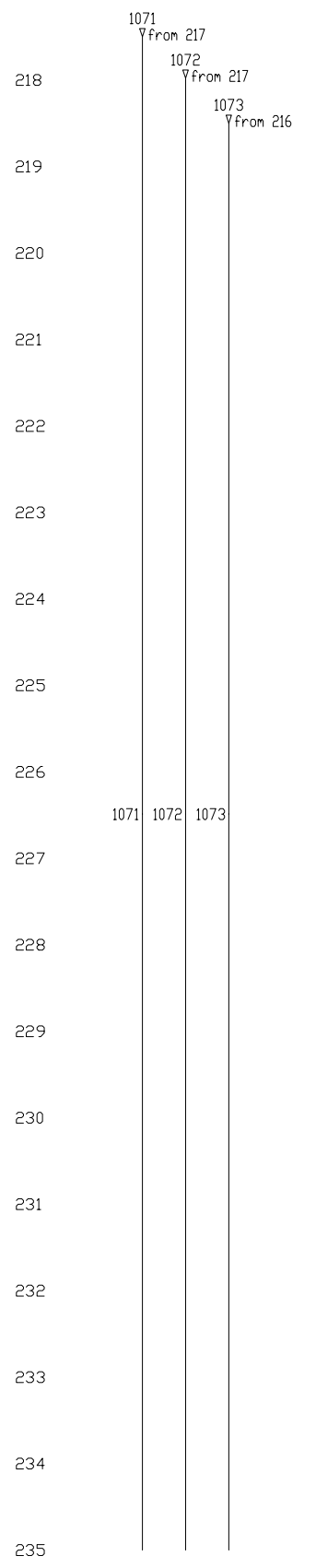
C

B

A



THIS SPACE INTENTIONALLY LEFT BLANK



THIS SPACE INTENTIONALLY LEFT BLANK

XXXX XXXXXXXX XX XXX XXXXXXXXXXXX  
 XX XXXXXXXXXXXX XXXXXXXXXXXX  
 XX XXX XXXXXXXXXXXX XXXXXXXXXXXX  
 XXXXXX XX XXXXXXXXXXXX XXX XXX  
 XXXXXXX XXXXXXX XX XXXXXXXXXXXX

**XXXXXX\_XXXX**  
**XXXXXX**

CONNECTED COMPONENTS  
 BI-DIR T-TYPE MUTING  
 POWER DISTRIBUTION

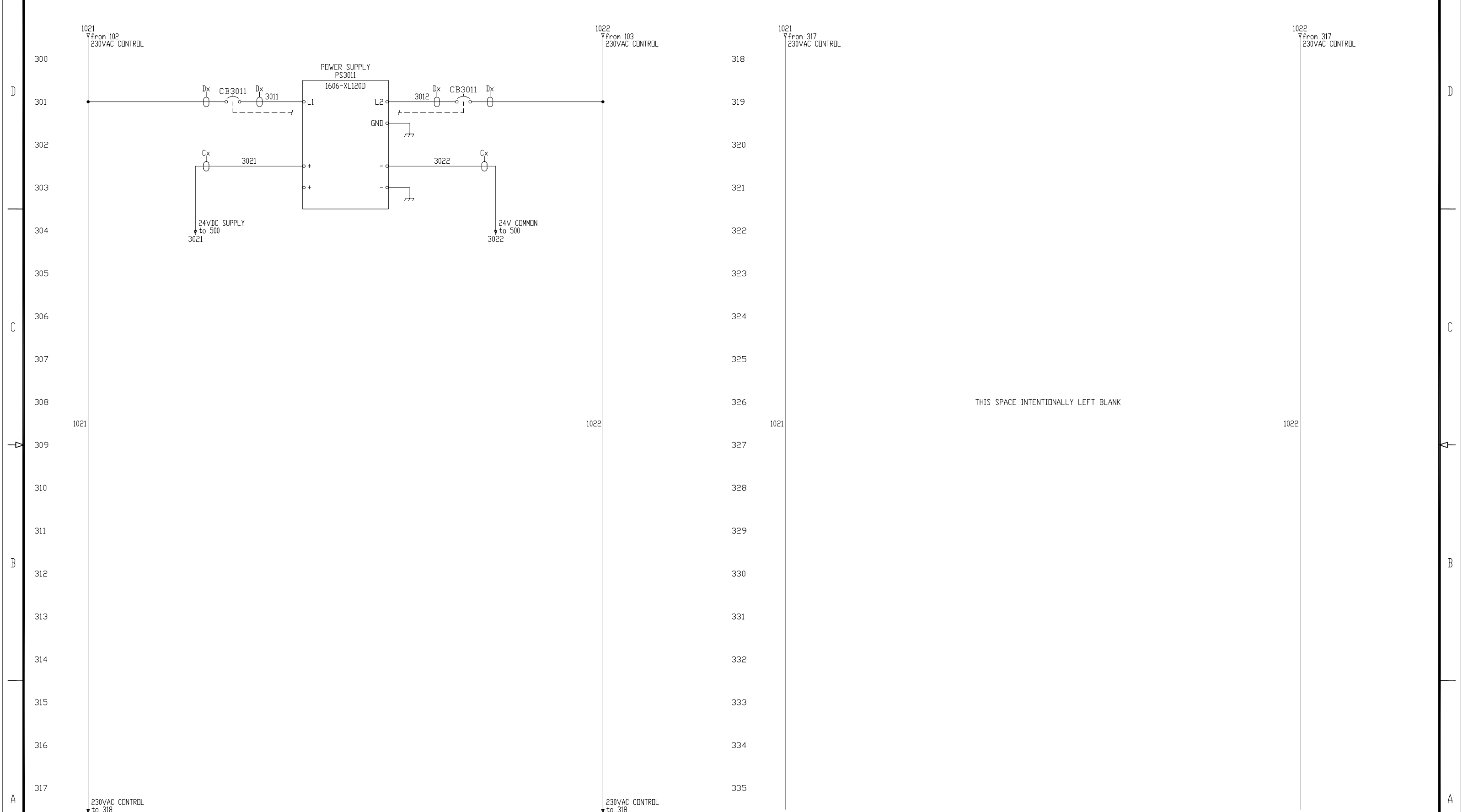
DWG NO	DATE	DWG REV
EXAMPLE	11-17-09	A
SHEET	OF	DATE
2	XX	(C/A/C)

5

4

3

2

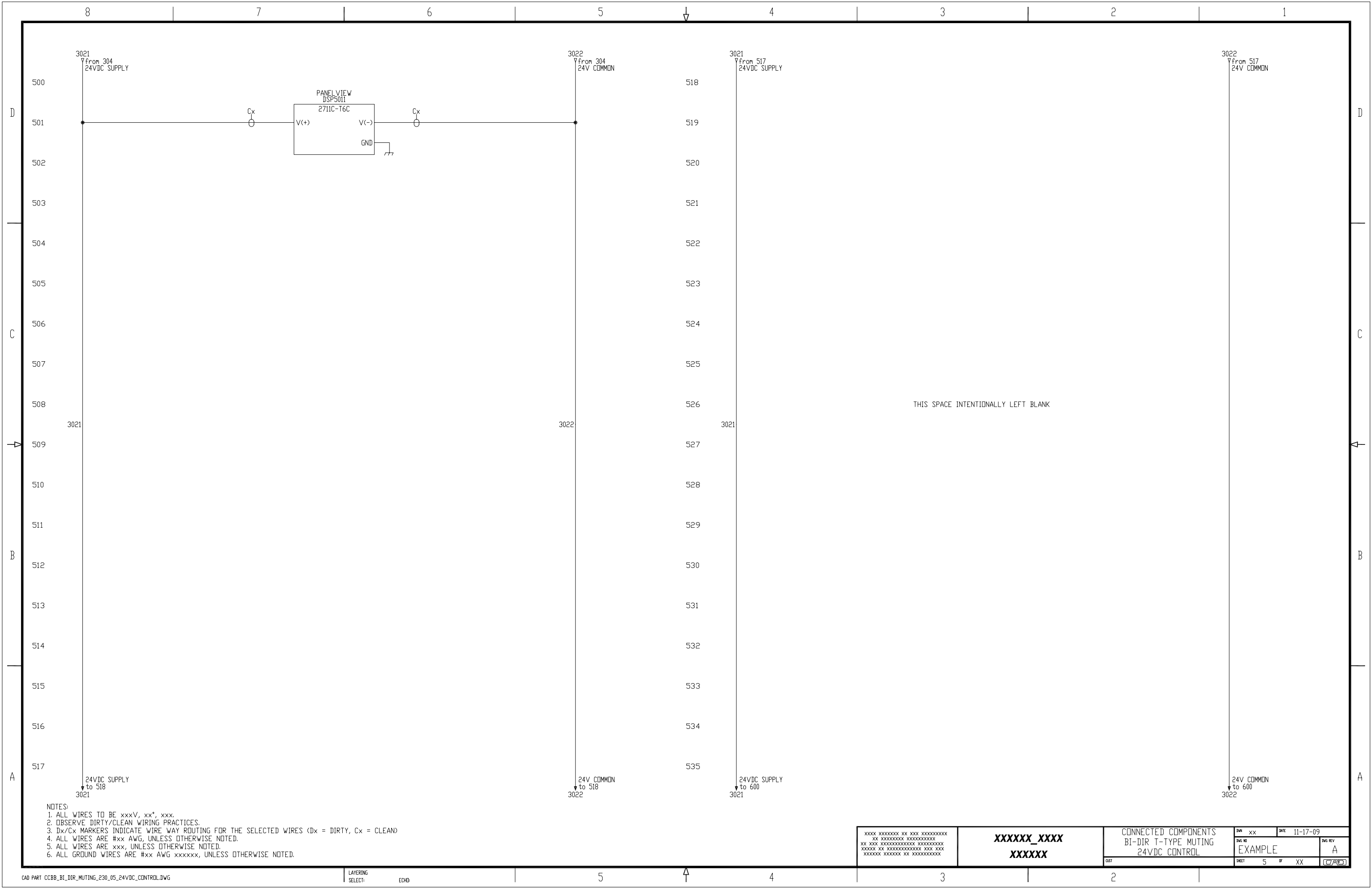


THIS SPACE INTENTIONALLY LEFT BLANK

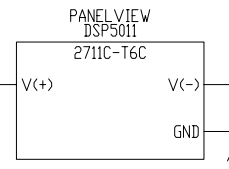
- NOTES:
1. ALL WIRES TO BE xxxV, xx\*, xxx.
  2. OBSERVE DIRTY/CLEAN WIRING PRACTICES.
  3. Dx/Cx MARKERS INDICATE WIRE WAY ROUTING FOR THE SELECTED WIRES (Dx = DIRTY, Cx = CLEAN)
  4. ALL WIRES ARE #xx AWG, UNLESS OTHERWISE NOTED.
  5. ALL WIRES ARE xxx, UNLESS OTHERWISE NOTED.
  6. ALL GROUND WIRES ARE #xx AWG xxxxxx, UNLESS OTHERWISE NOTED.

XXXXX_XXXX XXXXXX	CONNECTED COMPONENTS		DWG XX	DATE 11-17-09
	BI-DIR T-TYPE MUTING		DWG NO	DWG REV
230VAC CONTROL		EXAMPLE	A	
		SHEET 3	OF XX	(C/A/C)





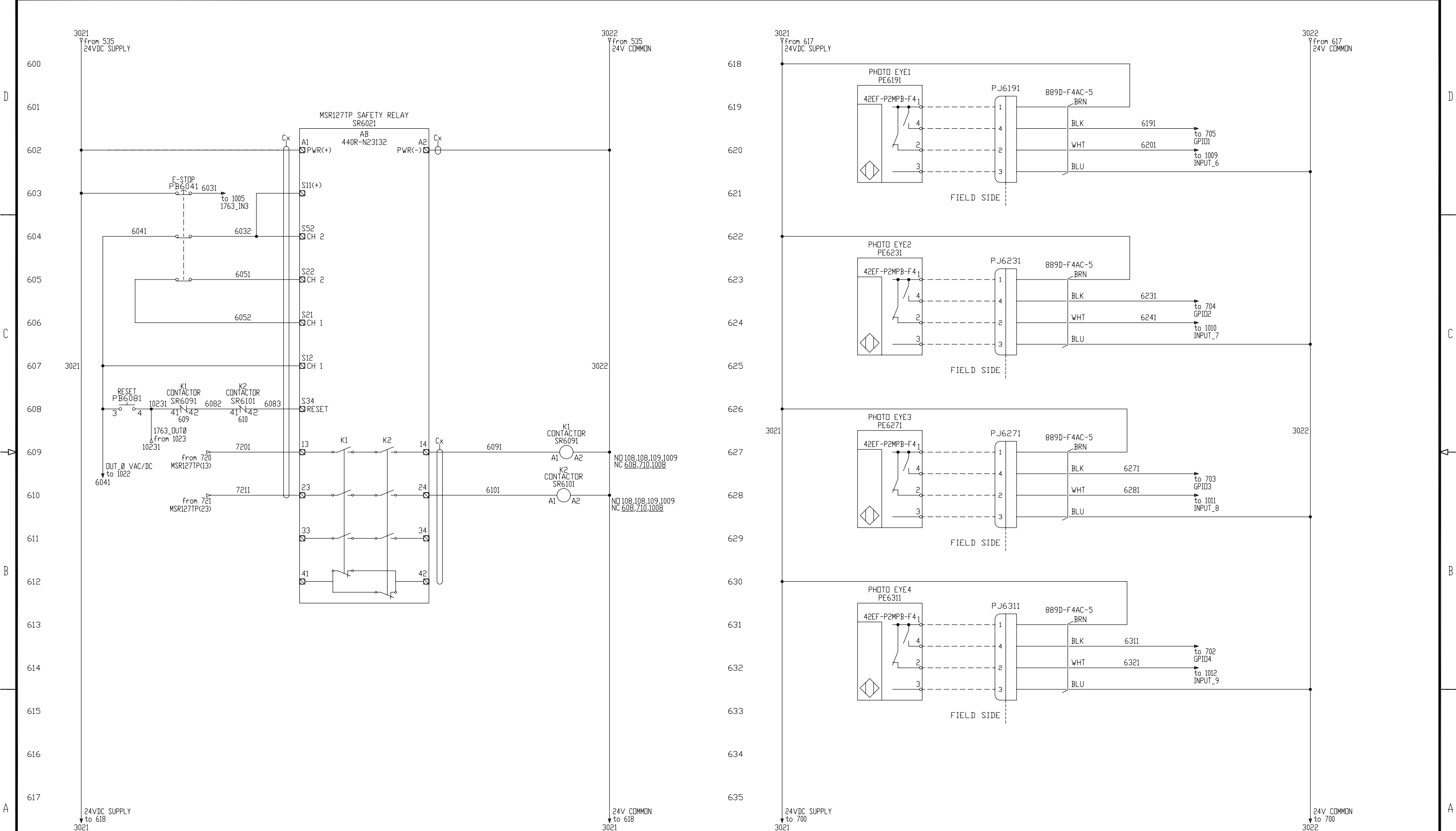
3021 from 304 24VDC SUPPLY  
 3022 from 304 24V COMMON  
 3021 from 517 24VDC SUPPLY  
 3022 from 517 24V COMMON



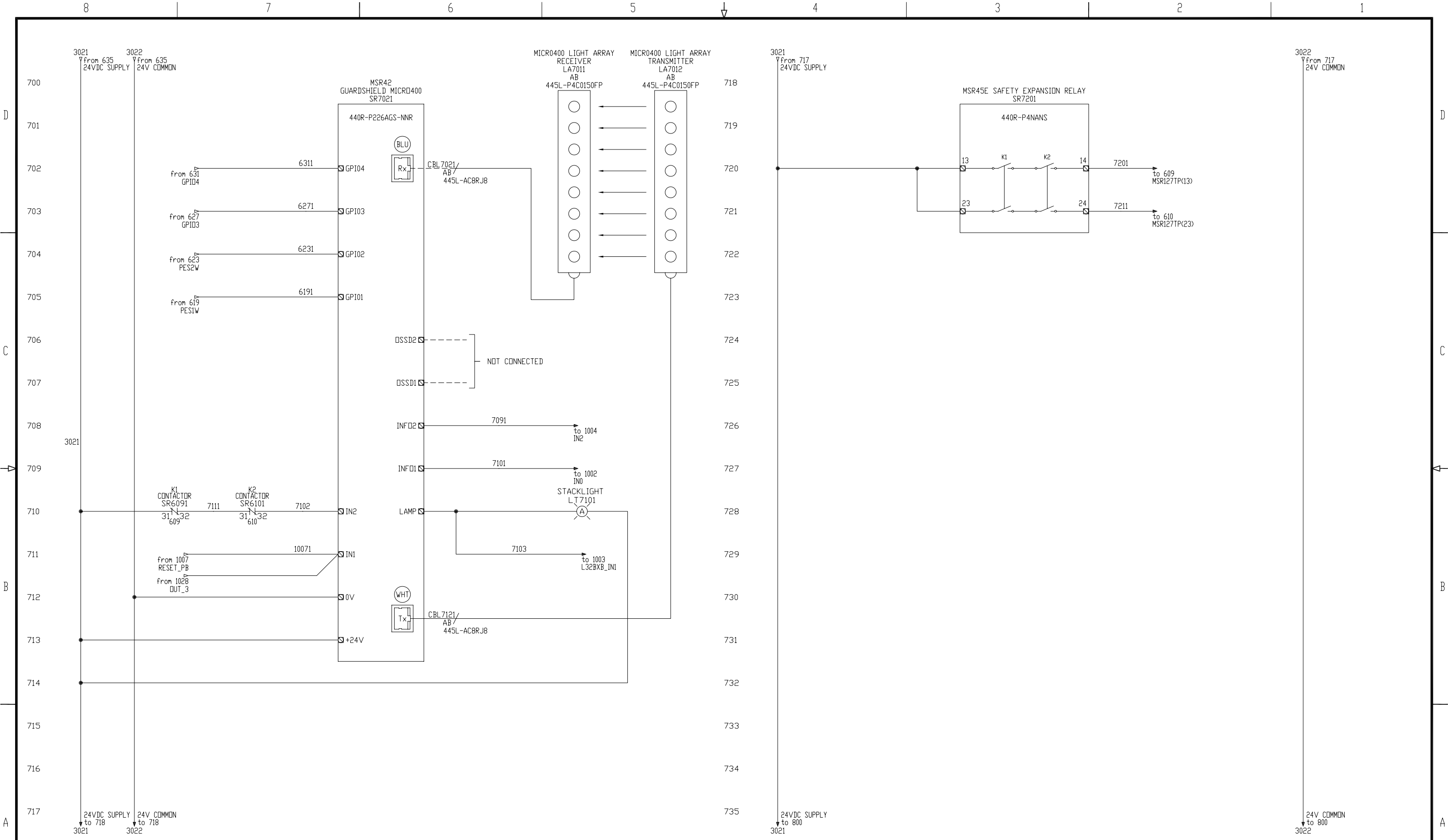
THIS SPACE INTENTIONALLY LEFT BLANK

- NOTES:
1. ALL WIRES TO BE xxxV, xx\*, xxx.
  2. OBSERVE DIRTY/CLEAN WIRING PRACTICES.
  3. Dx/Cx MARKERS INDICATE WIRE WAY ROUTING FOR THE SELECTED WIRES (Dx = DIRTY, Cx = CLEAN)
  4. ALL WIRES ARE #xx AWG, UNLESS OTHERWISE NOTED.
  5. ALL WIRES ARE xxx, UNLESS OTHERWISE NOTED.
  6. ALL GROUND WIRES ARE #xx AWG xxxxxx, UNLESS OTHERWISE NOTED.

XXXXX_XXXX XXXXXX	CONNECTED COMPONENTS BI-DIR T-TYPE MUTING 24VDC CONTROL		DWG XX DATE 11-17-09
	DWT 5	DFG REV EXAMPLE	DWG REV A



NOTES:  
 1. ALL WIRES TO BE xxxV, xx\*, xxx.  
 2. OBSERVE DIRTY/CLEAN WIRING PRACTICES.  
 3. Dx/Cx MARKERS INDICATE WIRE WAY ROUTING FOR THE SELECTED WIRES (Dx = DIRTY, Cx = CLEAN)  
 4. ALL WIRES ARE #xx AWG, UNLESS OTHERWISE NOTED.  
 5. ALL WIRES ARE xxx, UNLESS OTHERWISE NOTED.



- NOTES:
1. ALL WIRES TO BE xxxV, xx\*, xxx.
  2. OBSERVE DIRTY/CLEAN WIRING PRACTICES.
  3. Dx/Cx MARKERS INDICATE WIRE WAY ROUTING FOR THE SELECTED WIRES (Dx = DIRTY, Cx = CLEAN)
  4. ALL WIRES ARE #xx AWG, UNLESS OTHERWISE NOTED.
  5. ALL WIRES ARE xxx, UNLESS OTHERWISE NOTED.

XXXX XXXXXXXX XX XXX XXXXXXXXXXXX XX XXXXXXXXXXXXXXXXXXXXXXXXXXXX XXXXXX XX XXXXXXXXXXXXXXXXXXXX XXXXXXXX XXXXXXXXXXXXXXXXXXXX	<b>XXXXXX_XXXX XXXXXX</b>	CONNECTED COMPONENTS BI-DIR T-TYPE MUTING SAFETY RELAYS	DWG XX DATE 11-17-09 DWG REV <b>EXAMPLE</b> A	DWG REV A
			SHEET 7 OF XX	

D

C

B

A

D

C

B

A

3021  
from 735  
24VDC SUPPLY

3022  
from 735  
24V COMMON

3021  
from 817  
24VDC SUPPLY

3022  
from 817  
24V COMMON

800  
801  
802  
803  
804  
805  
806  
807  
808  
809  
810  
811  
812  
813  
814  
815  
816  
817

818  
819  
820  
821  
822  
823  
824  
825  
826  
827  
828  
829  
830  
831  
832  
833  
834  
835

THIS SPACE INTENTIONALLY LEFT BLANK

THIS SPACE INTENTIONALLY LEFT BLANK

3021

3022

3021

3022

24VDC SUPPLY  
to 818  
3021

24V COMMON  
to 818  
3022

24VDC SUPPLY  
900  
3021

24V COMMON  
900  
3022

xxxx xxxxxxxx xx xxx xxxxxxxxxx  
xx xxxxxxxx xxxxxxxxxx  
xx xxx xxxxxxxxxx xxxxxxxxxx  
xxxxxx xx xxxxxxxxxx xxx xxx  
xxxxxx xxxxxx xx xxxxxxxxxx

XXXXXX\_XXXX  
XXXXXX

CONNECTED COMPONENTS  
BI-DIR T-TYPE MUTING  
DRIVES I/O

DWG	xx	DATE	11-17-09
DWG NO	EXAMPLE		DWG REV
SHEET		8	OF XX

8

7

6

5

4

3

2

1

3021  
from 835  
24VDC SUPPLY

3022  
from 835  
24V COMMON

3021  
from 917  
24VDC SUPPLY

3022  
from 917  
24V COMMON

900  
901  
902  
903  
904  
905  
906  
907  
908  
909  
910  
911  
912  
913  
914  
915  
916  
917

918  
919  
920  
921  
922  
923  
924  
925  
926  
927  
928  
929  
930  
931  
932  
933  
934  
935

918  
919  
920  
921  
922  
923  
924  
925  
926  
927  
928  
929  
930  
931  
932  
933  
934  
935

THIS SPACE INTENTIONALLY LEFT BLANK

THIS SPACE INTENTIONALLY LEFT BLANK

3021

3022

3021

3022

24VDC SUPPLY  
to 918  
3021

24V COMMON  
to 918  
3022

24VDC SUPPLY  
to 1000  
3021

24V COMMON  
to 1000  
3022

5

4

3

2

XXXX XXXXXX XX XXX XXXXXXXXXX  
XX XXXXXXXXXX XXXXXXXXXX  
XX XXX XXXXXXXXXX XXXXXXXXXX  
XXXXXX XX XXXXXXXXXX XXX XXX  
XXXXXX XXXXXX XX XXXXXXXXXX

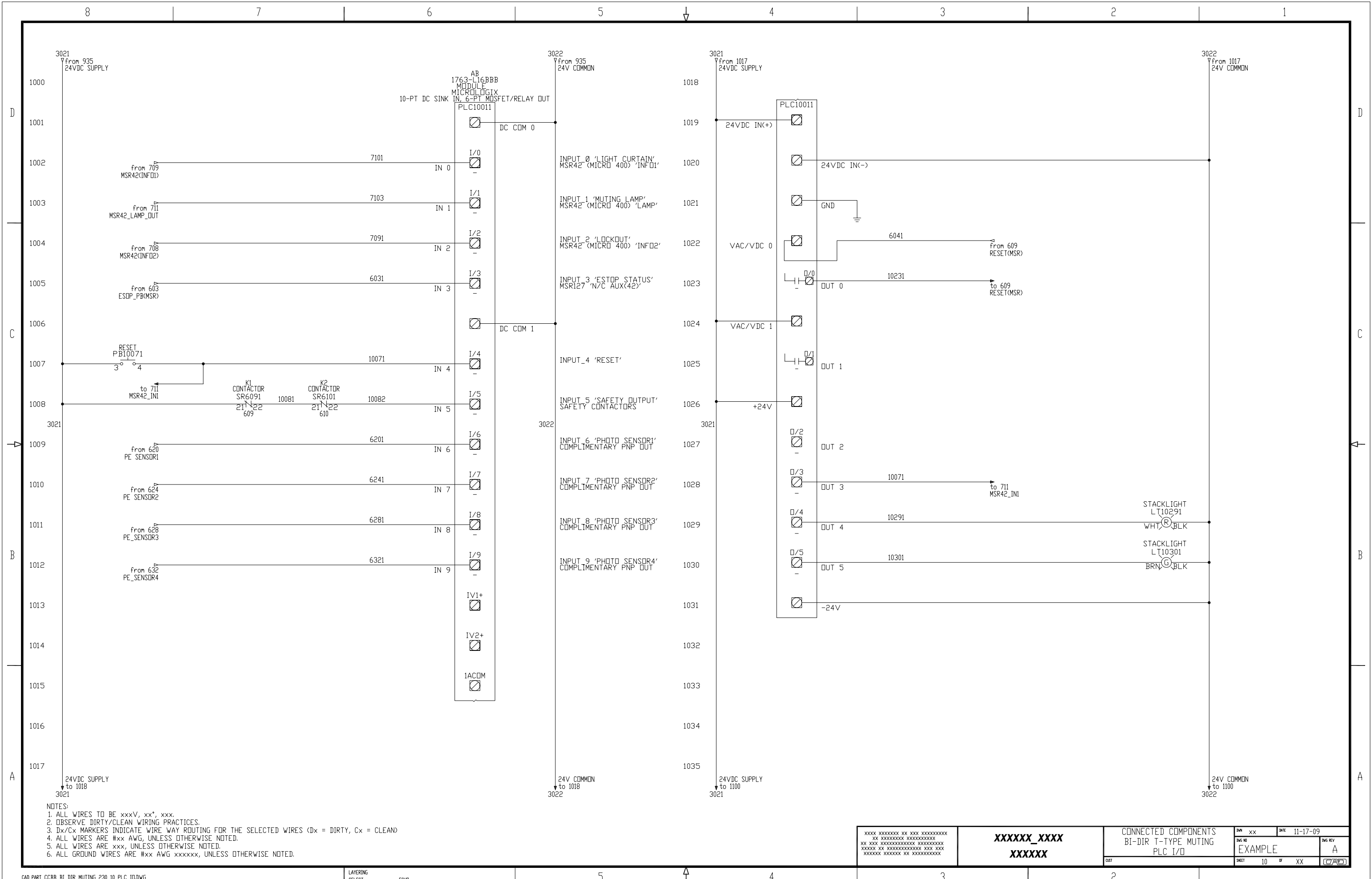
XXXXXX\_XXXX  
XXXXXX

CONNECTED COMPONENTS  
BI-DIR T-TYPE MUTING  
SPARE

DWG NO	DATE
EXAMPLE	11-17-09
DWG REV	
A	

SHEET 9 OF XX

CPAC



- NOTES:
1. ALL WIRES TO BE xxxV, xx\*, xxx.
  2. OBSERVE DIRTY/CLEAN WIRING PRACTICES.
  3. Dx/Cx MARKERS INDICATE WIRE WAY ROUTING FOR THE SELECTED WIRES (Dx = DIRTY, Cx = CLEAN)
  4. ALL WIRES ARE #xx AWG, UNLESS OTHERWISE NOTED.
  5. ALL WIRES ARE xxx, UNLESS OTHERWISE NOTED.
  6. ALL GROUND WIRES ARE #xx AWG xxxxxx, UNLESS OTHERWISE NOTED.

XXXX XXXXXXXX XX XXX XXXXXXXXXXXX XX XXXXXXXXXXXXXXXXXXXXXXXXXXXX XX XXXXXXXXXXXXXXXXXXXXXXXXXXXX XXXXXXXXXXXXXXXXXXXXXXXXXXXX XXX XXX XXXXXXXXXXXXXXXXXX XX XXXXXXXXXXXX	<b>XXXXXX_XXXX</b> <b>XXXXXX</b>	CONNECTED COMPONENTS BI-DIR T-TYPE MUTING PLC I/O	DWG NO <b>EXAMPLE</b>	DATE 11-17-09	DWG REV <b>A</b>
			SHEET 10 OF XX		

8

7

6

5

4

3

2

1

3021  
from 1035  
24VDC SUPPLY

3022  
from 1035  
24V COMMON

3021  
from 1117  
24VDC SUPPLY

3022  
from 1117  
24V COMMON

1100  
1101  
1102  
1103  
1104  
1105  
1106  
1107  
1108  
1109  
1110  
1111  
1112  
1113  
1114  
1115  
1116  
1117

1118  
1119  
1120  
1121  
1122  
1123  
1124  
1125  
1126  
1127  
1128  
1129  
1130  
1131  
1132  
1133  
1134  
1135

THIS SPACE INTENTIONALLY LEFT BLANK

THIS SPACE INTENTIONALLY LEFT BLANK

3021

3022

3021

3022

24VDC SUPPLY  
to 1118  
3021

24V COMMON  
to 1118  
3022

XXXX XXXXXX XX XX XXXXXXXXXXXX  
XX XXXXXXXXXXXX XXXXXXXXXXXX  
XX XX XXXXXXXXXXXXXXXXXXXX  
XXXXXX XX XXXXXXXXXXXXXXXXXXXX  
XXXXXXXX XXXXXX XX XXXXXXXXXXXX

XXXXXX\_XXXX  
XXXXXX

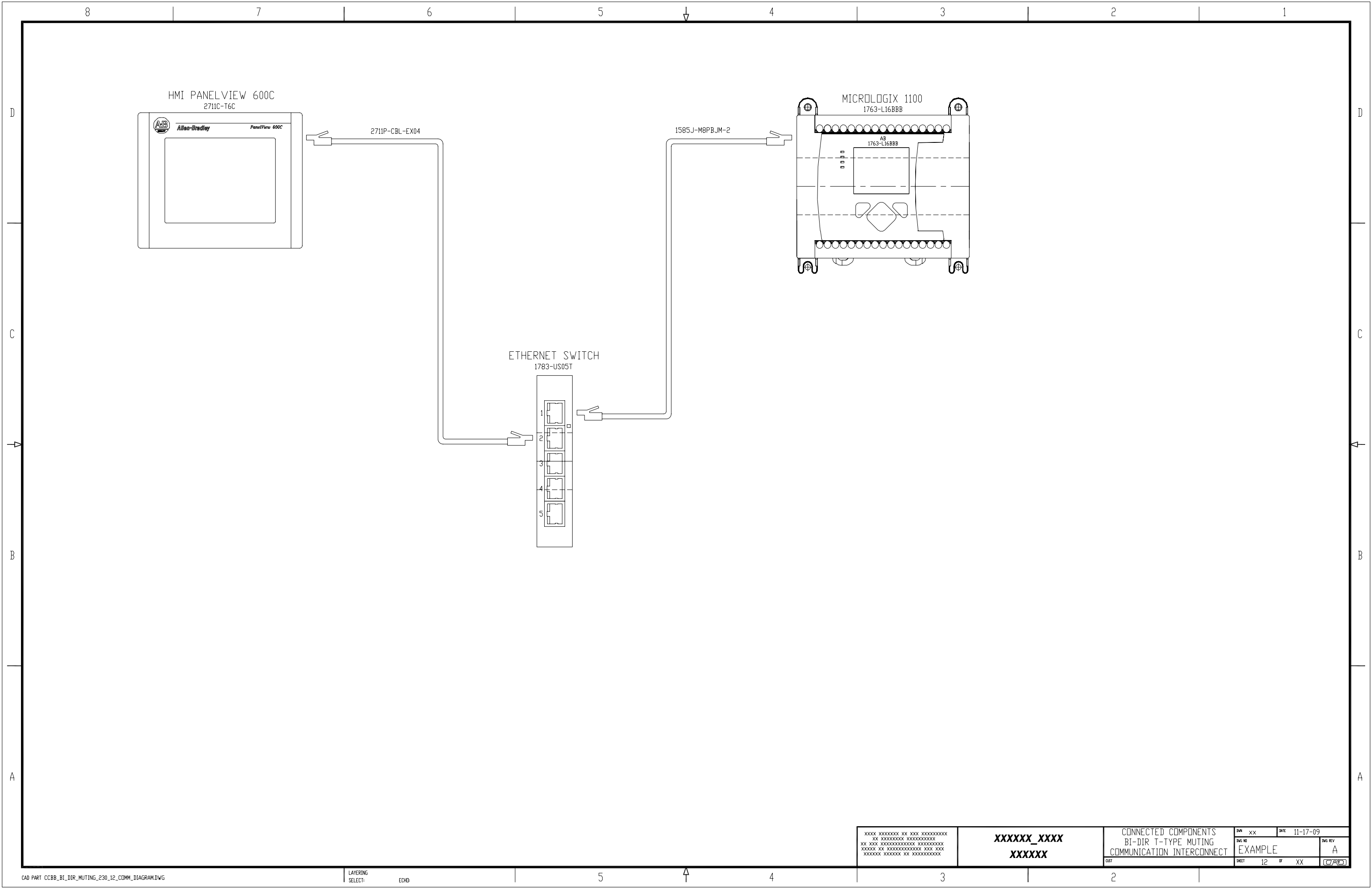
CONNECTED COMPONENTS  
BI-DIR T-TYPE MUTING  
SPARE

DWG NO  
EXAMPLE

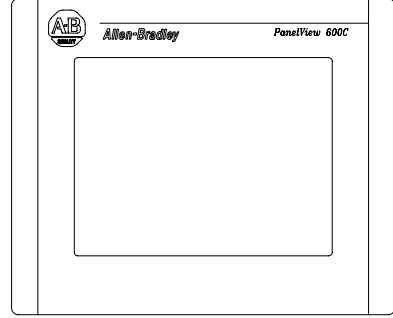
DWG REV  
A

SHEET 11 OF XX

DATE 11-17-09

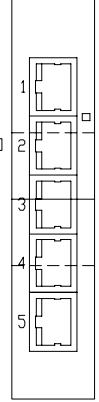


HMI PANELVIEW 600C  
2711C-T6C



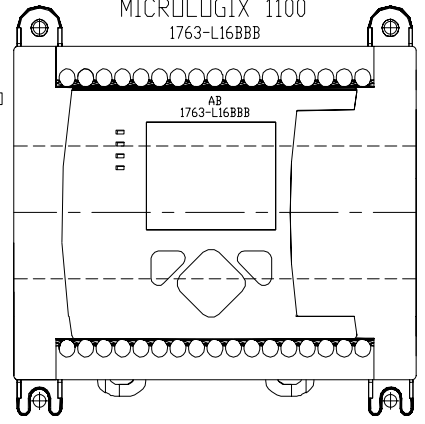
2711P-CBL-EX04

ETHERNET SWITCH  
1783-US05T



1585J-M8PBJM-2

MICROLOGIX 1100  
1763-L16BBB

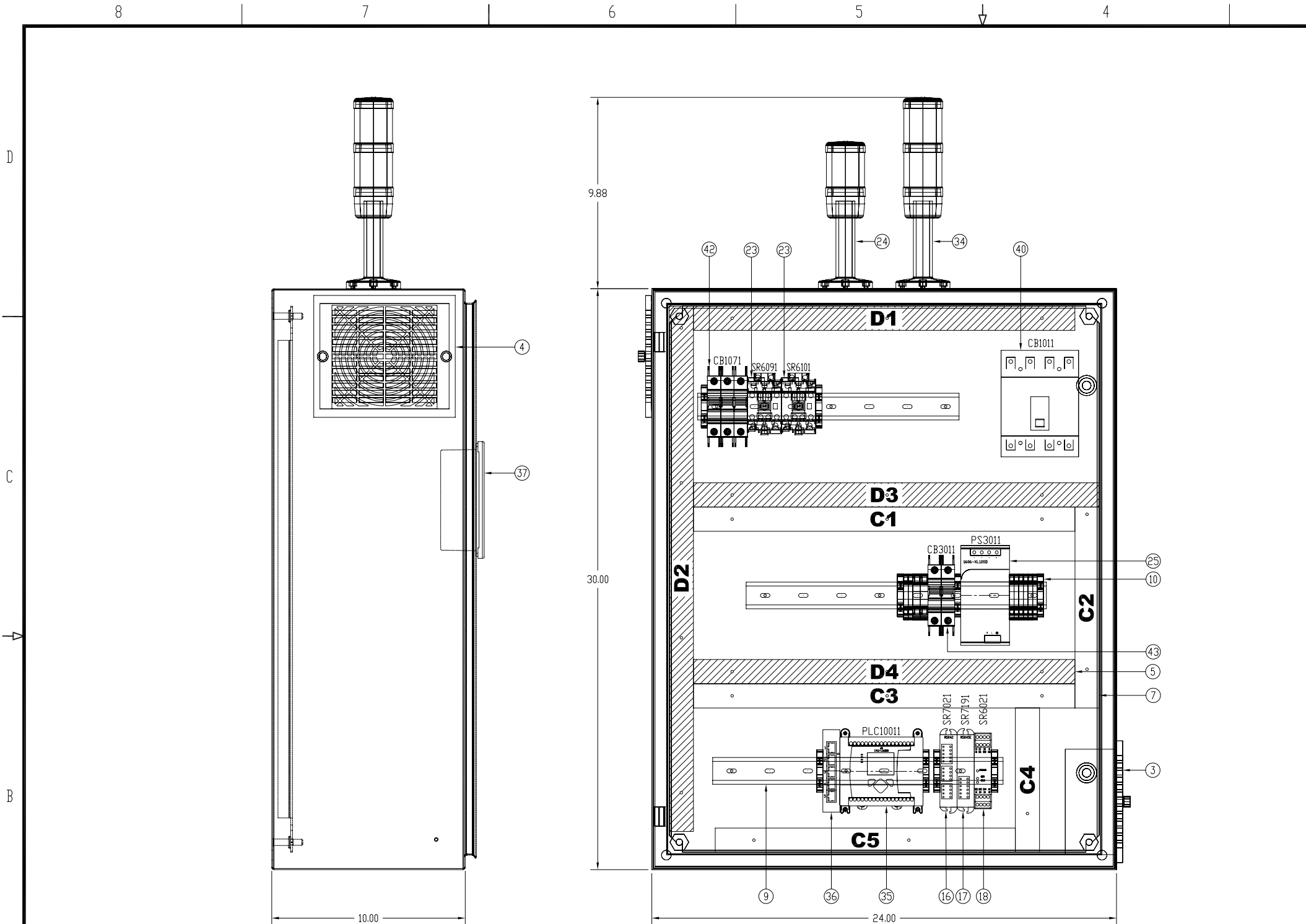


XXXX XXXXXXXX XX XXX XXXXXXXXXXXX  
XX XXXXXXXXXXXX XXXXXXXXXXXX  
XX XXX XXXXXXXXXXXX XXXXXXXXXXXX  
XXXXXXXX XX XXXXXXXXXXXX XXX XXX  
XXXXXXXX XXXXXX XX XXXXXXXXXXXX

XXXXXX\_XXXX  
XXXXXX

CONNECTED COMPONENTS  
BI-DIR T-TYPE MUTING  
COMMUNICATION INTERCONNECT

DWG NO	DATE	DWG REV
EXAMPLE	11-17-09	A
SHEET	OF	DATE
12	XX	(C/A/C)



ITEM	QTY	DESCRIPTION	MFG	CATALOG
1	1	NEMA1 ENCLOSURE 30"X24"X10"	HOFFMAN	CSD302410
2	1	PANEL FOR ENCLOSURE 21"X22.5"	HOFFMAN	CP3024
3	1	FAN KIT 115VAC WITH FILTER	HOFFMAN	TFP41
4	1	EXHAUST GRILL WITH FILTER	HOFFMAN	TEP4
5	-	PANDUIT WIRE DUCT, 1"X4" GRAY	PANDUIT	FIX4LG6
6	-	PANDUIT WIRE DUCT COVER, 1" GRAY	PANDUIT	C1LG6
7	-	PANDUIT WIRE DUCT, 1"X4" WHITE	PANDUIT	FIX4WH6
8	-	PANDUIT WIRE DUCT COVER, 1" WHITE	PANDUIT	C1WH6
9	-	35MM DIN RAIL	AB	199-DR1
10	9	END ANCHOR USED W/STANDARD 35MM DIN	AB	1492-EAJ35
SAFETY SYSTEM COMPONENTS				
11	1	MICRO 400 SAFETY LIGHT CURTAIN, RES 30mm	AB	445L-P4E1200FP
12	1	M12 TO RJ45, 8 METER	AB	445L-AC8RJ8
13	1	OPTICAL INTERFACE TOOL	AB	445L-AF6150
14	1	OPTICAL INTERFACE FASTENER	AB	445L-AF6152
15	1	MICRO 400 ADJUSTABLE MOUNTING KIT	AB	445L-AF6143
16	1	MSR42 MULTI FUNCTION CONTROLLER	AB	440R-P226AGS-NNR
17	1	MSR45E RELAY EXTENSION	AB	440R-P4NANS
18	1	MINDTAUR MSR127TP 24VAC/DC 3NO. & 1 N.C.	AB	440R-N23132
19	-	-	-	-
20	1	800F NON-ILLUM MUSHROOM OPERATOR	AB	800FP-MT44
21	3	22.5mm PB NO LATCH CONTACT BLOCK 1NO.	AB	800F-X01
22	1	PLASTIC LATCH	AB	800F-ALP
23	2	MCS100S-C SAFETY CONTACTOR 30A 24V	AB	100S-C30EJ14BC
24	1	STACKLIGHT 24V AMBER STEADY	AB	855EP-B24D5
25	1	POWER SUPPLY 24VDC 120W 120/240V INPUT	AB	1606-XL120D
MUTING SENSOR COMPONENTS				
26	4	PHOTDSWITCH 4-PIN DC MICRO SOURCE PNP	AB	42EF-P2MPB-F4
27	4	CORDSET DC MICRO(M12) FEMALE STRAIGHT	AB	889D-F4AC-5
28	4	BRACKET RIGHT ANGLE MINI/RIGHT SIGHT	AB	60-2657
29	4	REFLECTOR 50.8mm(2IN.) HEX	AB	92-90
30	1	800F PUSHBUTTON FLUSH GREEN	AB	800FP-F3
31	1	800F LEGEND PLATE "START"	AB	800F-11BE208
32	1	PLASTIC LATCH	AB	800F-ALP
33	3	22.5mm PB NO LATCH CONTACT BLOCK 1NO.	AB	800F-X10
34	1	STACKLIGHT 24V GRN STEADY RED FLASHING	AB	855EP-B24Y3L4
CONTROL AND VISUALIZATION EQUIPMENT				
35	1	MICROLOGIX 1100, 24VDC POWER	AB	1763-L16BBB
36	1	STRATIX 2000 SW., UNMANAGED 5 COPPER PORTS	AB	1783-US05T
37	1	6" COLOR (TRANSMISSIVE CSTN) TOUCHSCREEN	AB	2711C-T6C
38	1	1585 ETHERNET CABLE, TEAL RISER PVC, 2 METER	AB	1585J-M8PBJM-2
39	1	ETHERNET CAT5 CROSSOVER CABLE 4.3m(14FT)	AB	2711P-CBL-EX04
POWER CIRCUIT COMPONENTS				
380VAC-480VAC, 4POLE CB. DISCONNECT OPTION				
40	1	IEC MOLDED CASE C.B., 160A, H-FRAME, RATED 32A	AB	140UE-H2E4-C32
41	1	ROTARY, VARIABLE-DEPTH OPERATING MECHANISM	AB	140U-H-RVM12R
42	1	UL489/CSA 22.2 NO 5.1 BREAKER, 3POLE, 7AMP	AB	1489-A3C070
43	1	UL489/CSA 22.2 NO 5.1 BREAKER, 2POLE, 10 AMP	AB	1489-A2D100
PROGRAMMING SOFTWARE				
44	1	RSLOGIX MICRO STARTER (ENGLISH) CD-ROM	AB	9324-RLM0100ENE
POWER OPTION 380/400VAC, 3POLE FUSED DISCONNECT				
45	1	194R DISCONNECT, OPEN STYLE, DIN, 32A, 3POLE	AB	194R-D32-1753
46	1	OPERATING HANDLE, WITH DEFEATER, RED/YELLOW	AB	194R-HS4E
47	1	OPERATING SHAFT, STD. LENGTH, 263mm(10.3 IN.)	AB	194R-R1
48	1	UL489/CSA 22.2 NO 5.1 BREAKER, 3POLE, 7AMP	AB	1489-A3C070
49	1	UL489/CSA 22.2 NO 5.1 BREAKER, 2POLE, 10AMP	AB	1489-A2D100
POWER CIRCUIT OPTION 480VAC, 3 POLE FUSED DISCONNECT				
50	1	194R DISCONNECT, OPEN STYLE, 30A, 3POLE	AB	194R-C30-1753
51	1	OPERATING HANDLE, WITH DEFEATER, RED/YELLOW	AB	194R-HS4E
52	1	OPERATING SHAFT, STD LENGTH, 263MM(10.3 IN.)	AB	194R-R1
53	1	UL489/CSA 22.2 NO 5.1 BREAKER, 3POLE, 7AMP	AB	1489-A3C070
54	1	UL489/CSA 22.2 NO 5.1 BREAKER, 2POLE, 10AMP	AB	1489-A2D100

NOTES:  
 1. WIREWAYS MARKED Cx/Dx INDICATE CLEAN/DIRTY SIGNAL/POWER  
 2. FOR FURTHER INFORMATION ON SYSTEM DESIGN FOR CONTROL OF ELECTRICAL NOISE SEE ROCKWELL PUBLICATION #GMC RM001-EN-P

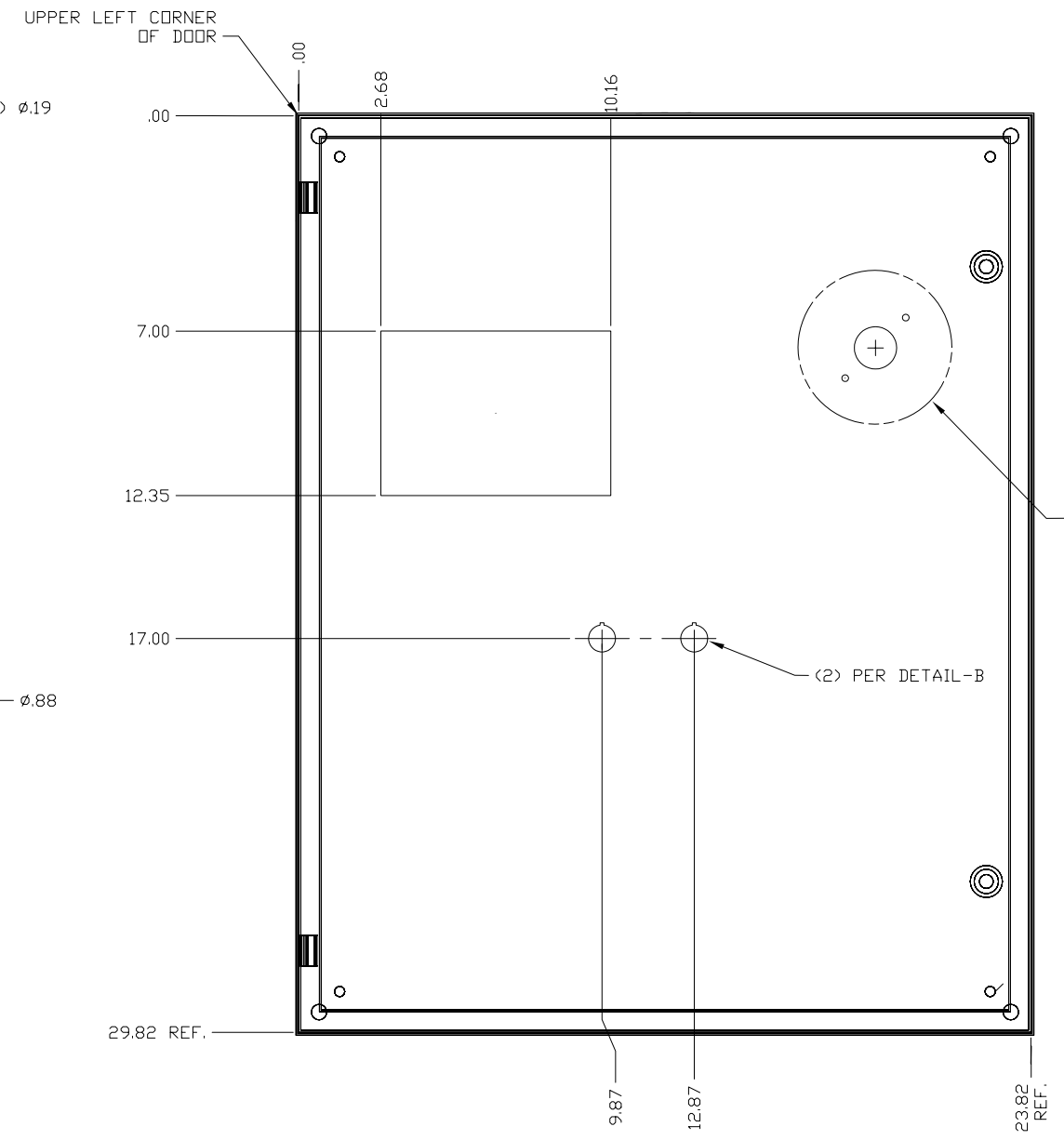
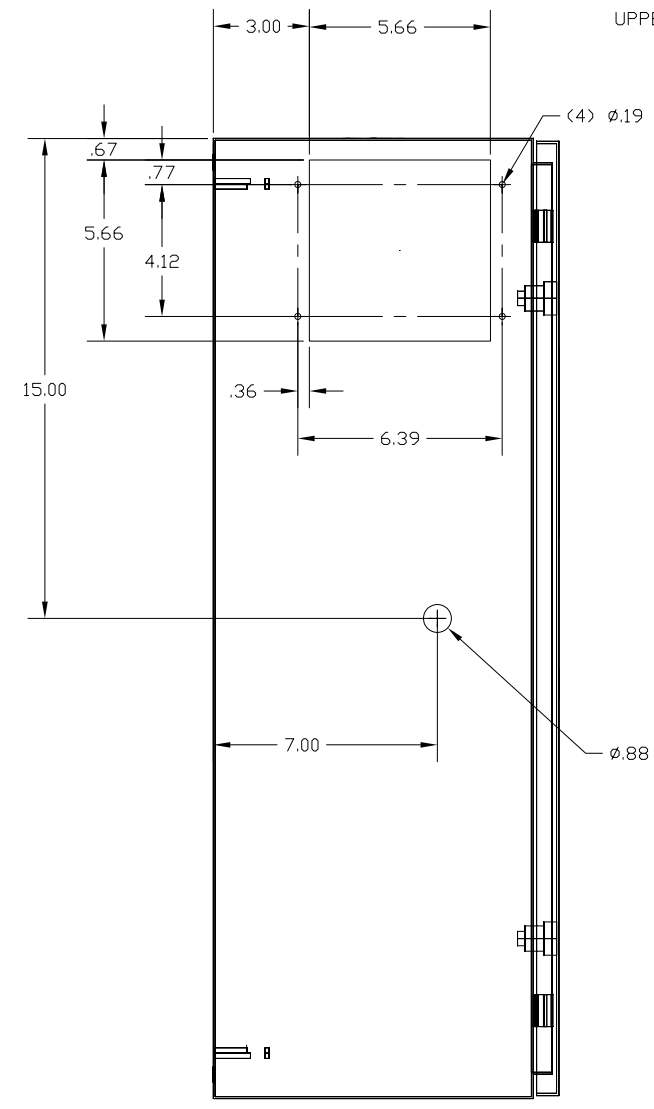
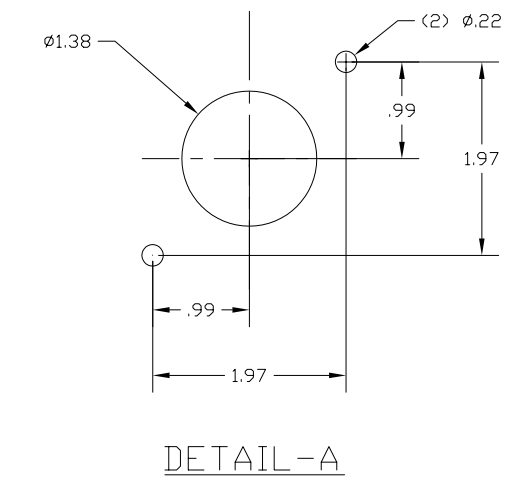
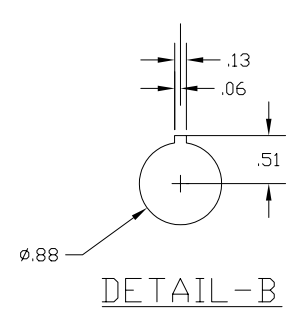
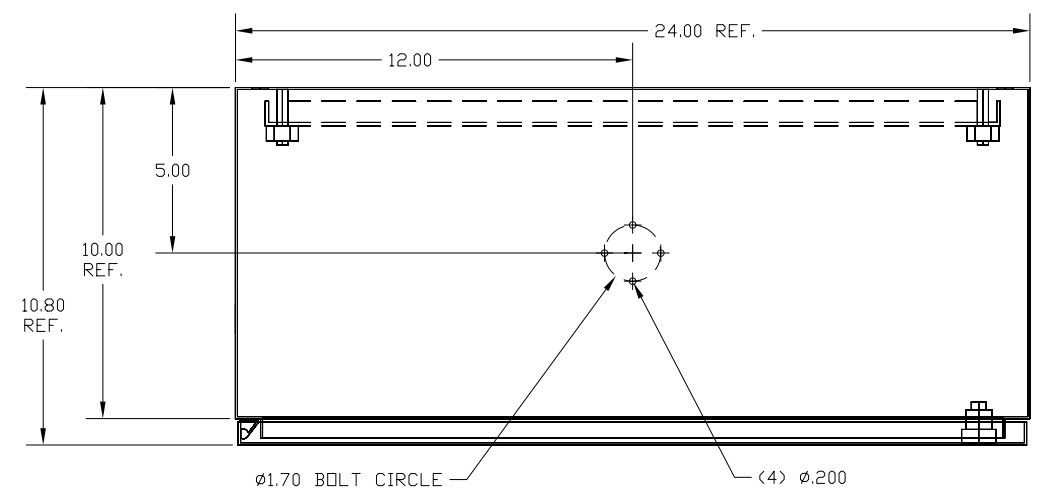
XXXX XXXXXXXX XX XXX XXXXXXXXXXXX XX XXXXXXXXXXXXXXXXXXXXXXXXXXXXXXXX XXXXXXXXXXXXXXXXXXXXXXXXXXXXXXXXXXXX XXXXXXXXXXXXXXXXXXXXXXXXXXXXXXXXXXXX XXXXXXXXXXXXXXXXXX XXXXXXXXXXXXXXXX	XXXXXX_XXXX XXXXXX	CONNECTED COMPONENTS BI-DIR T-TYPE MUTING PANEL LAYOUT	DWG NO EXAMPLE	DATE 11-17-09	DWG REV A
---	-----------------------	--	-------------------	------------------	--------------

D

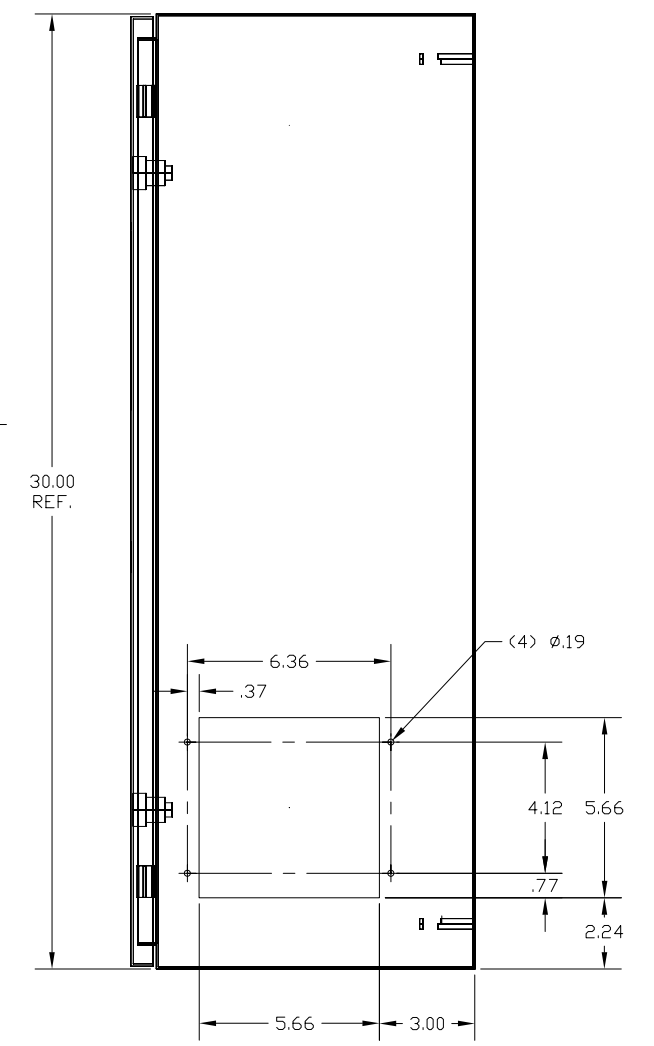
C

B

A



PER DETAIL-A,  
(SEE SHEET 2 FOR ALL  
OPERATOR OPTION  
LOCATIONS)



**DOOR MODIFICATION**

-01	1	HOFFMAN PART CSD302410	ANSI 61 GRAY
PART NO.	CHG. CHAR.	MATERIAL	SURFACE TREATMENT

LAYERING SELECT: ECHD

XXXX XXXXXXXX XX XXX XXXXXXXXXXXX XX XXXXXXXXXXXX XXXXXXXXXXXX XXXXXX XX XXXXXXXXXXXX XXX XXX XXXXXXXX XXXXXXXX XX XXXXXXXXXXXX	<b>XXXXXX_XXXX</b> <b>XXXXXX</b>	CONNECTED COMPONENTS BI-DIR T-TYPE MUTING ENCLOSURE DOOR LAYOUT	DWG XX DATE 11-17-09 EXAMPLE SHEET 14 OF XX	DWG REV A CADD
--	-------------------------------------	---	--	----------------------

A

5

4

3

2

D

C

B

A

8

7

6

5

4

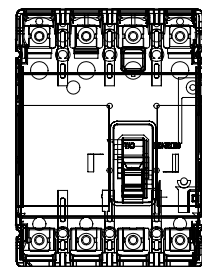
3

2

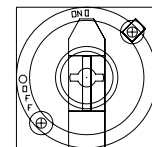
1

ADDITIONAL PARTS LIST

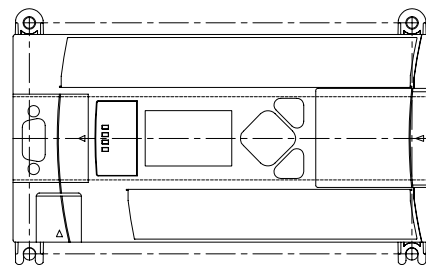
ITEM	DESCRIPTION	MFG	CATALOG
55	ROTARY VARIABLE DEPTH MECHANISM	AB	140U-RVM12R
56	"F" FRAME CIRCUIT BREAKER	AB	140UE-H2EA-C32
57	30A FUSED DISCONNECT	AB	194R-C30-1753
58	60A FUSED DISCONNECT	AB	194R-D32/D63-1753
59	MICROLOGIX 1400, 24VDC POWER	AB	1766-L32BXBA
60	STRATIX 6000, 8 PORT ETHERNET SWITCH	AB	9300-8EDM
61	REMOTE ACCESS ETHERNET SWITCH	AB	9300-RADES
62	STRATIX 6000 SWITCH, ENTRY-LEVEL MANAGED, 8-PORT	AB	1783-EMS08T
63	STRATIX 2000 SWITCH, UNMANAGED, 5-COPPER PORTS	AB	1783-US05T



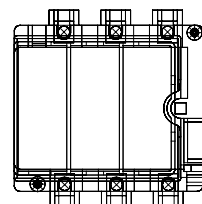
56 "F" FRAME CIRCUIT BREAKER



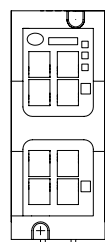
55 ROTARY VARIABLE DEPTH MECHANISM



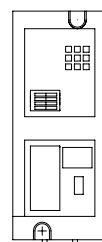
59 MICROLOGIX 1400



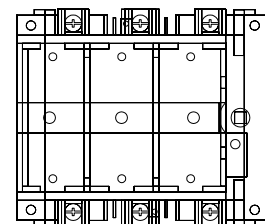
57 30A FUSED DISCONNECT



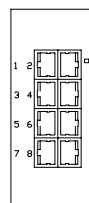
60 ETHERNET SWITCH



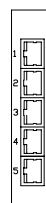
61 REMOTE ACCESS ETHERNET SWITCH



58 60A FUSED DISCONNECT



62 ETHERNET SWITCH



63 ETHERNET SWITCH

XXXX XXXXXXXX XX XXX XXXXXXXXXXXX  
 XX XXXXXXXXXXXX XXXXXXXXXXXX  
 XX XXX XXXXXXXXXXXX XXXXXXXXXXXX  
 XXXXXX XX XXXXXXXXXXXX XXX XXX  
 XXXXXXX XXXXXXX XX XXXXXXXXXXXX

XXXXXX\_XXXX  
 XXXXXXX

CONNECTED COMPONENTS  
 BI-DIR T-TYPE MUTING  
 ADDITIONAL PARTS

DWG NO	DATE	DWG REV
EXAMPLE	11-17-09	A
SHEET	OF	
15	XX	

5

4

3

2